



Beauty ✦

Beauty Downlighter is designed for mirror lighting, delivering soft, shadow-free illumination that enhances facial clarity and true skin tones.

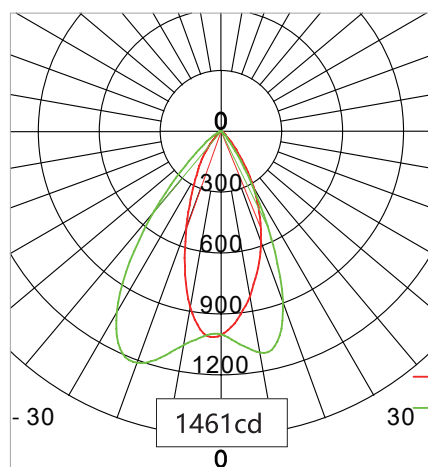
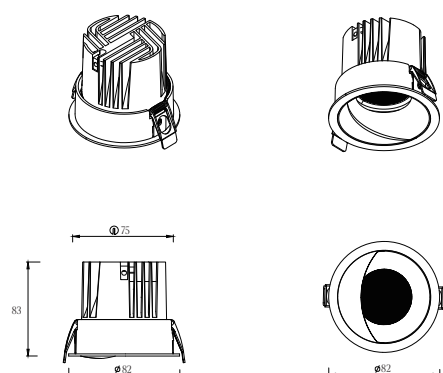


Product Description

The Z110801-18 beauty light uses professional-grade specially customized optical lenses and dual-angle light output, focusing on solving the problems of ambient lighting and facial lighting, effectively eliminating facial shadows, increasing local fill light, and restoring the true face.



Technical Data



1m	801.3, 11421x	77.15cm
2m	200.3, 285.41x	154.30cm
3m	89.03, 126.91x	231.44cm
4m	50.08, 71.351x	308.59cm
5m	32.05, 45.671x	385.74cm
6m	22.26, 31.711x	462.89cm
7m	16.35, 23.301x	540.04cm
8m	12.52, 17.841x	617.19cm
9m	9.893, 14.091x	694.33cm
10m	8.013, 11.421x	771.48cm

Model No. BEAUTY-Z110801-18

Mounting Mounting location : Ceiling
Type: Recessed

Electrical Voltage: 220-240V
Frequency: 50/60Hz
Dimming: Depending on driver

Dimension Dimension(mm): 82*83
Cut out: Ø75 mm
Min. recessed depth: 83mm

Light Adjustability : Fixed
Light distribution : Direct
Unified glare rating(UGR) : <10
Beam Angle : 15x30°
Correlated Color Temperature : 2700-6500K

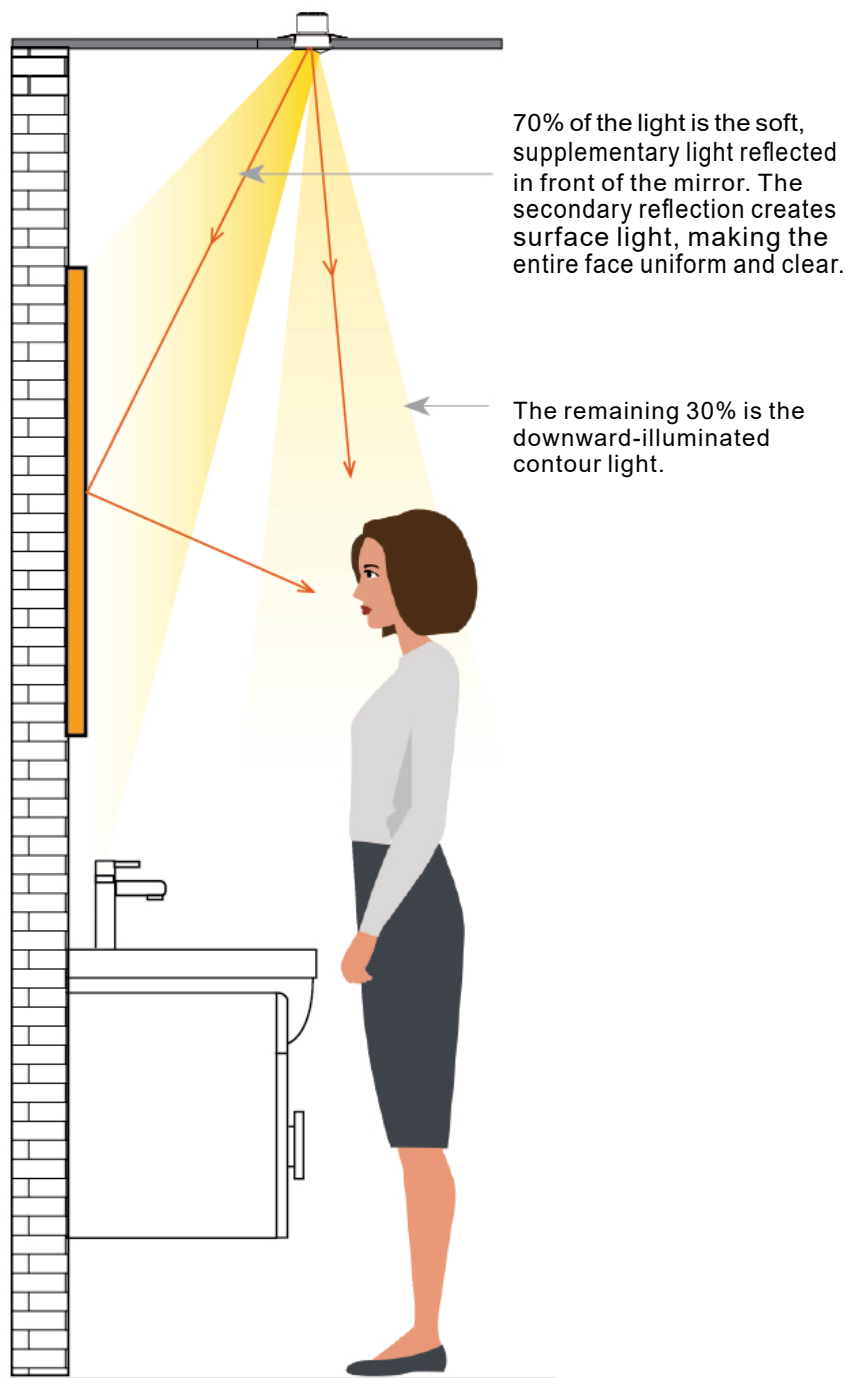
Lamp Description Lamp type : COB
Colour rendering index (CRI) : Ra≥ 90
MacAdam : <3

Nominal Flux 18W / 932.28lm / 3500K

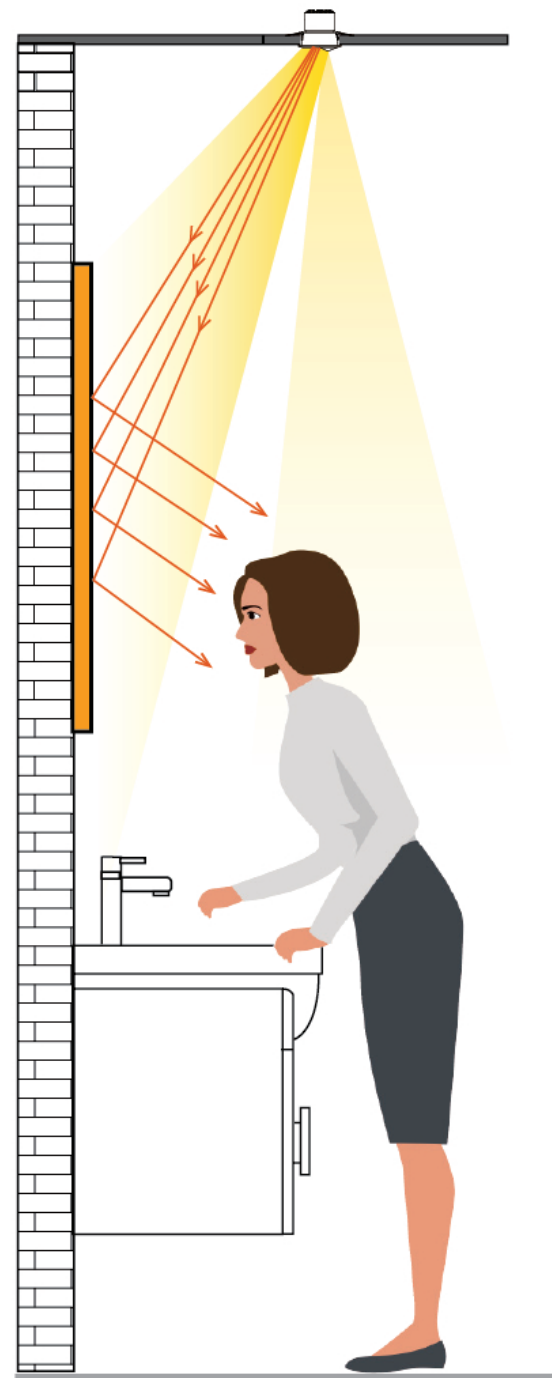
Others Dimmable: On/Off、 DALI、 1-10V、
TRIAC Dimmable 、 Smart control Option
LED life Time : >50,000h-L80-B10(Ta 25°C)
Environment temperature : - 20°C-40°C
Ingress protection : IP 20

Safety Approval

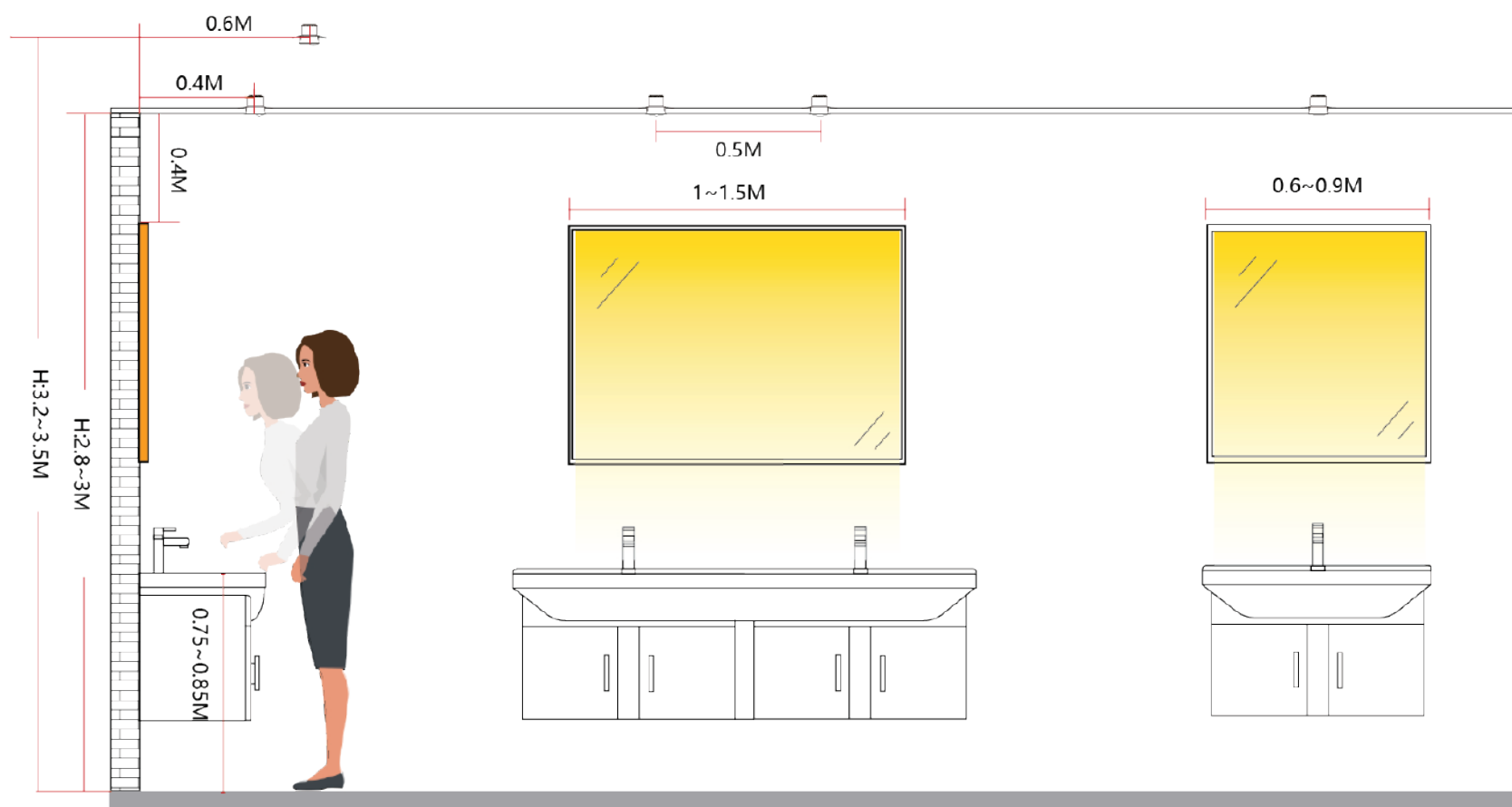




After reflection and supplementary lighting from the mirror, facial shadows are effectively eliminated and the complexion is softened.

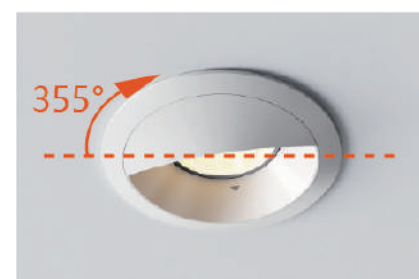
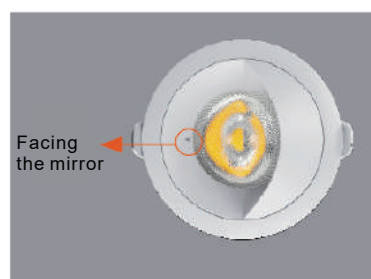


Patented optical design - The closer to the mirror, the brighter the light on the face.



Installation Ref:

1. When standing straight, be 0.5~0.8m away from the mirror, forward - leaning: 0.3~0.4m face to mirror.
2. Luminaire 0.4m from wall, ceiling 2.8m. Other recommended installation dimensions : H2.8m~3m/0.4m, H3.2-3.5m/0.6m
3. The height of the mirror is 0.4m from the ceiling
4. When the mirror is wide, multiple lamps need to be installed. The distance between each lamps is 0.5m. When both sides of the mirror are close to the walls, rotate lamps inward 15° for better results.





Beauty