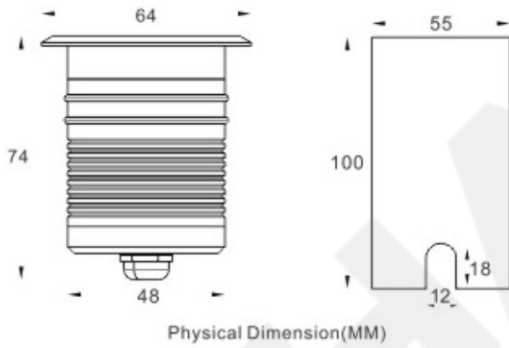


PRODUCT INFORMATION



Application Type	Luminn inground lights
Housing Type	Die Cast Aluminum, SS Ring
Colour Temperature	3500K, 6500k, 2700K, 3000K, 4000K, 6000K
Dimmable	Yes
Controls	Analog, Dali, On/off
Wattage Upto	3W, 5W
Size	dai: 64mm, height: 100mm
Driver	Inbuilt, Remote



MODEL NO.	POWER	LIGHT SOURCE	LED COLOR	BEAM ANGLE	INPUT VOLT	CONTROL
DM-UPL640103A	3-5W	1PCS CREE SMD	2700K-6500K			
DM-UPL640103B	3-5W	1PCS CREE SMD	Turnable White 2700K/6500K			
DM-UPL640105A	3-5W	1PCS TYANSHINE SMD	RGB 3in1	20°/40°	DC12V/DC24V	DMX512
DM-UPL640105B	3-5W	1PCS TYANSHINE SMD	RGBW 4in1 (w/ 5200K/2000K/6500K)			
DM-UPL640103C	3W	1PCS CREE SMD	2200-6500K R/G/B/Y/A	6°	AC220 /AC110-240V DC12V/DC24V	ON/OFF /DMX512
DM-UPL640105C	3-5W	1PCS CREE SMD	2200-6500K R/G/B/Y/A	6°	AC220 /AC110-240V DC12V/DC24V	ON/OFF /DMX512
DM-UPL640103D	3W	1PCS CREE LUMINUS COB	2700K-6500K	15°/24°/38°/60° (Lens)	AC110-240V	ON/OFF
DM-UPL640105D	3-5W	1PCS CREE LUMINUS COB	2700K-6500K	15°/24°/38°/60° (Lens)	DC12V/DC24V	ON/OFF /DMX512
DM-UPL640103E	3W	1PCS CREE LUMINUS COB	2700K-6500K	18°/25°/35° (Reflector Cup)	AC220 /AC110-240V	ON/OFF
DM-UPL640105E	3-5W	1PCS CREE LUMINUS COB	2700K-6500K	18°/25°/35° (Reflector Cup)	DC12V/DC24V /DC36V/DC48V	ON/OFF /T18ac /0-10V/DALI/DMX512

